

# ABC Transfer<sup>®</sup> Beta Container

CONNECTION AT YOUR FINGER TIPS

Beta containers are used repeatedly on production lines to transfer sterilized tools or components to the filling line. They need to be heavy duty and simple to wash, autoclave, and operate.

ABC Transfer is proposing a revolutionary concept, which fixes most issues faced by operators and maintenance crews in drug production factories.



## The revolutionary Easyglide<sup>™</sup> seal improves leak tightness and reduces friction

- The ABC Transfer stainless steel container features the revolutionary Easyglide<sup>™</sup> seal, designed to improve leak tightness and reduce rotation torque.
- The container is a class 1 enclosure, which delivers a leak rate under  $10^{-4}$  Pa.m<sup>3</sup>/s at 500 Pa of container over-pressure. This guarantees that your container will remain sterile once autoclaved.

## A revolutionary connection lug module

### • No connection rollers

The ABC Transfer stainless steel container is revolutionizing the utilisation of containers thanks to an innovative connection head. The utilisation of PEEK sliding pads connection lug module has taken away the requirement for connection rollers, which tend to jam regularly. This is possible because the friction generated by PEEK on stainless steel is very small and does not require any effort

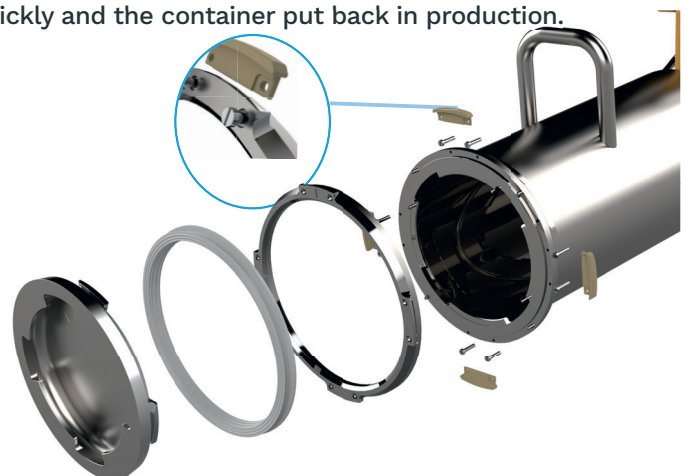


### • Easier maintenance

The connection lug module can be easily replaced by your maintenance crew. It takes a couple of minutes to unscrew it, change it, and screw it back in. Therefore, if it gets damaged, eg, if the container falls on the floor, it can be replaced quickly and the container put back in production.

### • Safer to operate

Like on all ABC Transfer products, the Easyglide<sup>™</sup> seal is gripped between two fixed parts. On the container, it is maintained in position between the connection lug module and the body of the container. It is easy to place in its operating position. Once in place, it cannot move.



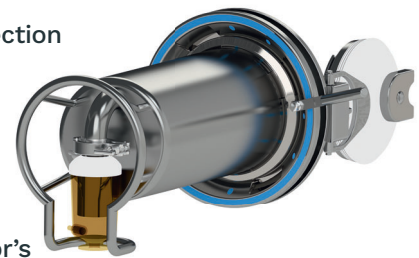
## GMP designed-CIP & SIP made possible

- There are no hidden surfaces.
- Components such as the door or the internal connection lug are shaped to facilitate the flow of liquids.
- In addition, the Easyglide™ seal retains no moisture and can be Cleaned In Place.
- The internal container surfaces feature a surface rugosity of 0.5 µm.
- An electropolishing option is available.



## Connection between a Beta container and an Alpha port has never been that easy

- The Easyglide™ revolutionary seal coupled with the innovative connection lug module reduces friction during rotation.
- The rotation itself is managed via a special ergonomic wheel, situated at the bottom of the container.
- The operator's position during the process is ergonomic. The operator's visibility on the alpha port and the entire connection process is optimal.



## A comprehensive range of handling accessories

- Manufactured to the highest standard and compliant with GMP requirements**  
These products are the result of years of drug manufacturing experience in cramped and heavy-duty cleanroom environments. They are designed to be as simple as possible to operate and to maintain.
- Compatible with conventional RTP brands**  
The ABC Transfer stainless steel container is compatible with conventional RTP brands.



### ABC Transfer Beta Container technical information

DIAMETER	LENGTH					MATERIAL	AVAILABILITY
	300	400	500	600	700		
105	X	X	-	-	-	Stainless steel	Q2 2022
190	X	X	X	X	X	Stainless steel	Q2 2021
270	X	X	X	X	X	Stainless steel	Q2 2021